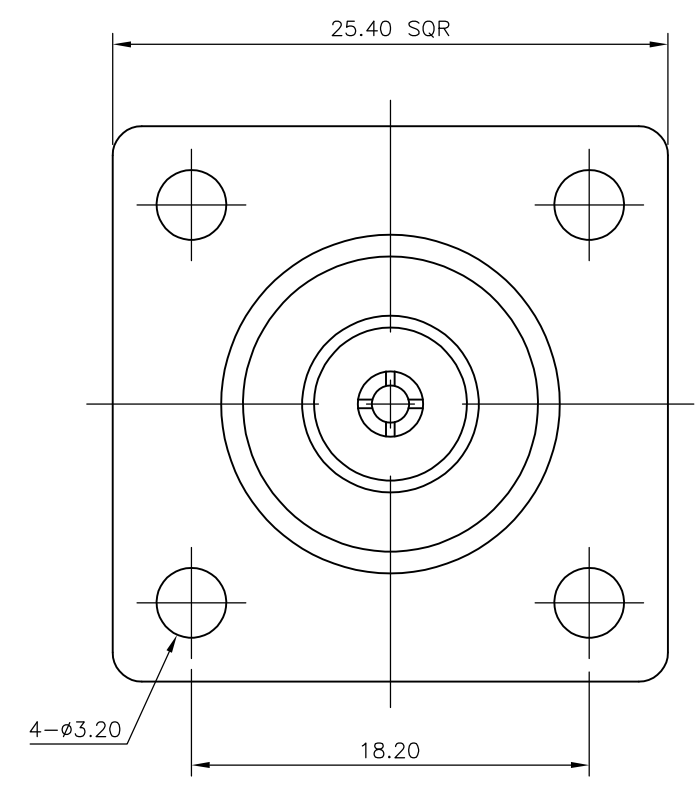
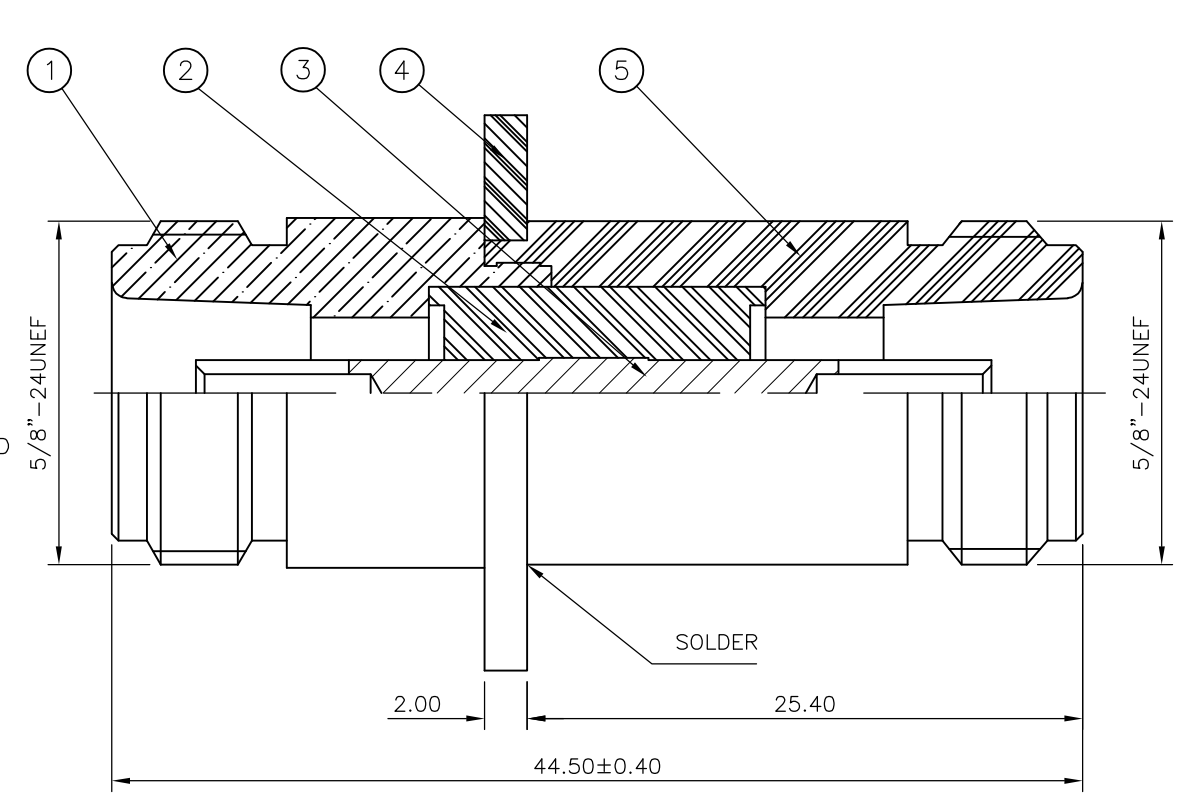


THIS DRAWING IS UNPUBLISHED. RELEASED FOR PUBLICATION DEC ,2004.  
 © COPYRIGHT 2004 BY TYCO ELECTRONICS CORPORATION. ALL RIGHTS RESERVED.

LOC	DIST	REVISIONS					
E	B	P	LTR	DESCRIPTION	DATE	DWN	APVD
		B1		ECO-10-021614	200CT10	Titong Seng	

- NOTES**
- 1 SINGLE PACK IN ACCORDANCE WITH AMP SPEC 107-3275
  - 2 50 TRAY PACK IN ACCORDANCE WITH AMP SPEC 107-3275
  - 3 Au PLATING OVER Cu PLATING
  - 4 Ag PLATING OVER Cu PLATING
  - 5 Ni PLATING OVER Cu PLATING
6. CHARACTERISTICS  
 FREQUENCY RANGE: DC-11.0GHz  
 IMPEDANCE: 50 OHMS  
 WORKING VOLTAGE: 1000V MAX AT SEA LEVEL  
 DIELECTRIC WITHSTAND VOLTAGE: 2500V RMS MAX  
 TEMPERATURE RATE: -55°C TO +165°C
7. MECHANICAL CHARACTERISTICS  
 DURABILITY: 500 CYCLES MIN
8. FOR TECHNICAL DATA REFER TO YOUR LOCAL TYCO ELECTRONICS SALES OFFICE
9. ALL DIMENSIONS ARE NOMINAL FOR REFERENCE ONLY UNLESS OTHERWISE STATED



QTY	PLC	PLC	PLC	PLC	MATERIAL	DESCRIPTION	ITEM
-	-	1	1		BRASS	△ BODY	5
1	1	-	-		BRASS	△ BODY	5
-	-	1	1		BRASS	△ FLANGE	4
1	1	-	-		BRASS	△ FLANGE	4
1	1	-	-		BRASS	△ CONTACT	3
-	-	1	1		BRASS	△ CONTACT	3
1	1	1	1		PTFE	INSULATOR	2
-	-	1	1		BRASS	△ BODY	1
1	1	-	-		BRASS	△ BODY	1
6--1	1--1	6--0	1--0		MATERIAL	DESCRIPTION	ITEM

THIS DRAWING IS A CONTROLLED DOCUMENT.		DWN J.SANDWELL 01DEC04	Tyco Electronics Corporation Bideford, UK, EX39 4HE	
DIMENSIONS: mm		CHK S.PARLOW 01DEC04	NAME N TYPE ADAPTER PANEL MOUNT JACK	
TOLERANCES UNLESS OTHERWISE SPECIFIED: 0 PLC ± - 1 PLC ± - 2 PLC ± - 3 PLC ± - 4 PLC ± - ANGLES ± -		APVD F.WHEELER-KING 01DEC04	PRODUCT SPEC -	
MATERIAL SEE TABLE		FINISH SEE TABLE	APPLICATION SPEC -	RESTRICTED TO -
		WEIGHT -	SIZE A3	CAGE CODE 00779
		DRAWING NO C-1814407		REV B1
CUSTOMER DRAWING		SCALE NTS	SHEET 1 OF 1	REV B1